

AV665PIRW

Thank you for purchasing our product. Before attempting to connect or operate this product, please read the instructions carefully before use.

DESCRIPTION

AV665PIRW uses advanced imaging technology from SONY IMX138 CMOS Sensor to capture image resolution as high as 720P@60FPS and outputs analog signal through CVBS/BNC. It features 2D/3D adaptive noise reduction.

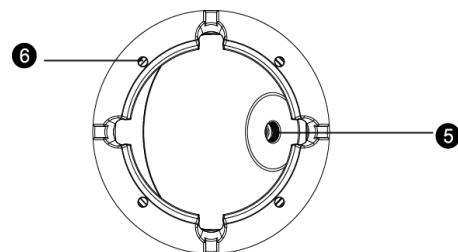
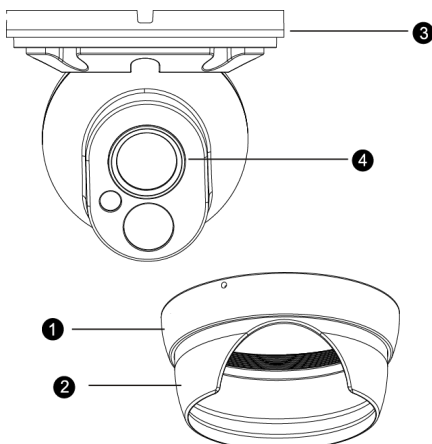
PRECAUTIONS

1. Use appropriate power supply.
The power input for AV665PIRW is DC12V. Using wrong power source will damage the camera permanently.
2. Do not attempt to disassemble the camera.
There is not serviceable parts.
3. Handle the camera with care.
Avoid abusing the camera by striking, shaking, or other improper handling.
4. Do not place the camera in the following locations:
 - a. Where temperature is lower than -4 °F or higher than 131 °F;
 - b. Where humidity is higher than 90%.
5. Clean the CMOS faceplate with care.
Do not use strong detergents. Use a piece of lens tissue or cotton tipped applicator and ethanol.
6. Do not attempt to aim the camera at the sun.
Aiming at the sun or other extremely bright objects causes smear to appear irrespectively of whether the camera is operating or not. This can damage the CMOS.
7. Do not put the camera in places with interference.
When this camera is installed near the equipment like wireless communication device that emits strong electromagnetic field, some irregularities such as noise on the monitor screen may happen.

FEATURES

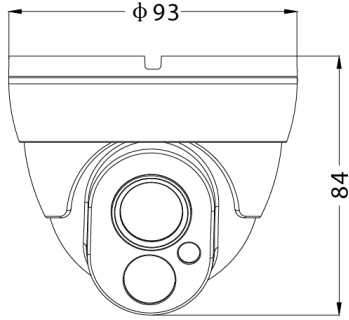
- Sony IMX138 720P CMOS Sensor
- CVBS/BNC 960H/720P@60FPS Video Output
- True Day & Night
- Adaptive 2D/3D Noise Reduction
- Ingress Protection Rated IP66: Dust & Weather Proof

PARTS INSTRUCTIONS



1. Ring Enclosure
2. Camera Holder
3. Base
4. Camera Lens
5. Wire Out Hole
6. Four install screws holes (on base)

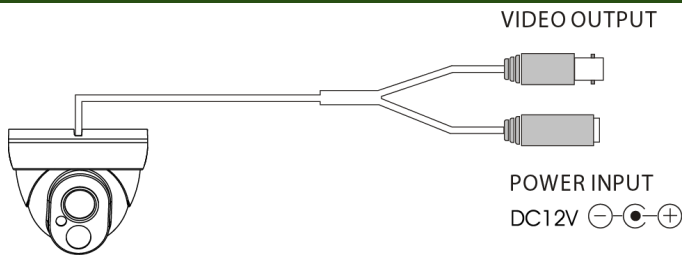
DIMENSION



SPECIFICATIONS

Sensor	1/3" SONY IMX138
Effective Pixels	1.3 Megapixels
Scanning System	2:1 Interlaced
Sync. System	Internal
Resolution	720P (equal to 1000TVL)
Lens	3.6mm
White Balance	AUTO
Electronic Shutter	AUTO
S/N Ratio	> 50dB (AGC Off)
Video Output	1.0V p-p Composite Video Output, 75Ω
IR LED	1 LED
IR Distance	75 Feet
Min. Illumination	0 Lux (IR On)
Power Supply	DC 12V ± 10%
Power Consumption	250mA, 3W
Operating Temp.	-4 ~ 131 °F / -20 ~ 55 °C
Dimension (ø x H)	ø93 x 84 mm
Weight	0.97 lb / 440g

CONNECTIONS



SETUP

Camera Installation:

1. Unscrew the ring enclosure, take it out.
2. Using the foam pat to locate the holes in the wall.
3. Drill 4 holes in the position needed in accordance with the holes on the base. Push the expansion bolt inside, then screws the base to the expansion bolt holes loosely.
4. Get the wire out from the wire out hole through the base.
5. Screw tightly the base to the wall.
6. Screw the enclosure to the base with the ring enclosure.

