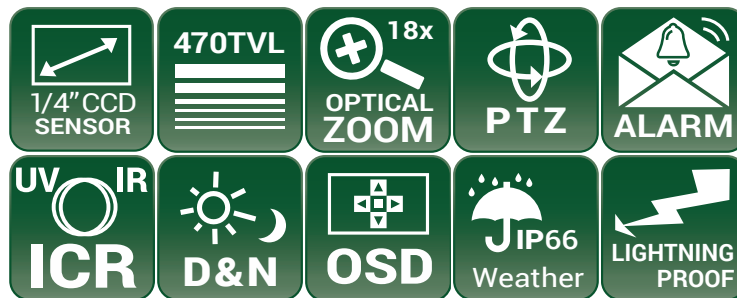


VEHICLE MOUNT PTZ CAMERA



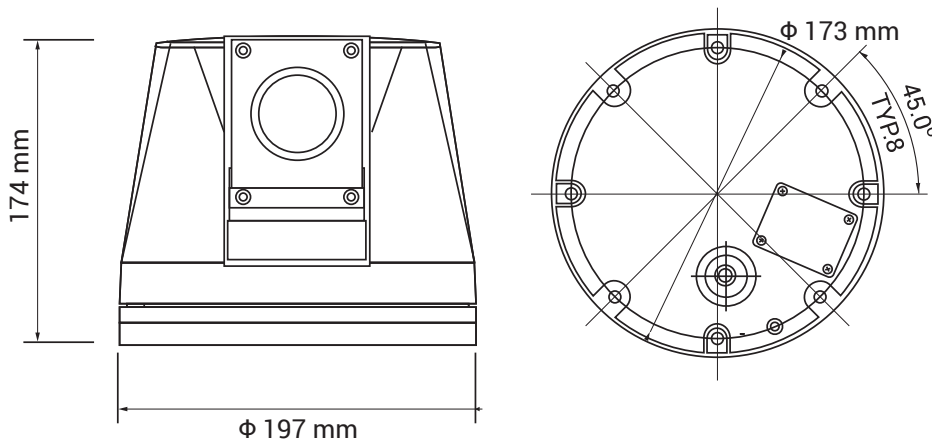
G35M-WB18N



Features

- 1/4" CCD Image Sensor
- High resolution of 470 TVL
- 18X Optical Zoom with Auto Focus, Zoom function
- White Balance, ATW, AWB, AGC, Day & Night ICR
- Pan 360°, Tilt 120° with Auto Flip
- 7 Alarm Input and 2 Alarm Output
- High-Strength Casting Cover, Anti-Shock, Corrosion-Proof, IP66.
- Rating impact load 3.4g accelerate.
- 128 presets, 8 Programmable Zones.
- Flexible setting of Park Action, Power-up Action and Time Running.
- Built-in OSD menu.
- Password protection.

Dimension



SEQUTEC INC.

1180 Miraloma Way Suite C
Sunnyvale, CA 94085

Tel: (408) 481-9355, Fax: (408) 481-9366

www.avueinc.com

AVUE

Advanced Video Surveillance

Specification

| | |
|----------------------|---|
| Model | G35M-WB18N |
| Image Sensor | 1/4 " (EX-view HAD) CCD |
| Resolution | 470 TVL |
| Effective Image | 380,000 (NTSC) ; 440,000 (PAL) |
| Zoom Length | F1.6-3.0, f=4.1-73.8mm |
| | 216 times (18X optical zoom x 12X digital zoom) |
| Min. Illumination | 0.1 Lux (Color) ; 0.01 Lux (B/W) |
| Camera Functions | White Balance (ATW, AWB, Manual)/AGC/ Day & Night (ICR) / Auto |
| Power | DC 12V \pm 2V |
| Power Consumption | Maximum 20W |
| Monitor | Manual/Time start-up setting |
| Rotation Speed | Pan 0.4 ~ 80° /sec; Tilt 0.4 ~ 60° /sec |
| Preset Speed | Pan 160° /sec; Tilt 120° /sec |
| Orientation Accuracy | \pm 0.03° |
| Rotation | Pan 360° continuously, Tilt 120° (-30° ~ + 90°), with auto-flip |
| Speed Proportion | Auto-adjust the speed as the length of focus |
| Preset | 128 presets, titles can be edited |
| Auto-Flip | Tilt up 90°, with auto-flip 180° |
| Scan | 355° programmable, 4 scan |
| Display Zone | 8 programmable zones with titles |
| Alarm Function | 7 Alarm Input / 2 Alarm Output |
| Sync | Internal |
| Decoder | Built-in |
| Video Output | Female BNC |
| Remote Controlling | RS485 |
| Baud Rate (RS485) | 2400/4800/9600/19200 bps |
| ID Range | 1 ~ 254 |
| Temperature | Outdoor -40° ~ +60° |
| Humidity | 0 ~ 95% (Non-condensation) |
| Protection Grade | IP66, Surge-Proof, Wave-Proof, all-day defend cover |
| Dimension | 197 mm (Ø) x 174 mm (H) |
| Weight | 4.0 kg |

SEQUTEC INC.

1180 Miraloma Way Suite C
Sunnyvale, CA 94085

Tel: (408) 481-9355, Fax: (408) 481-9366

www.avueinc.com

AVUE

Advanced Video Surveillance