



INFRARED LIGHT ILLUMINATOR

AIR90

AIR150

AIR250

Includes:

Bracket

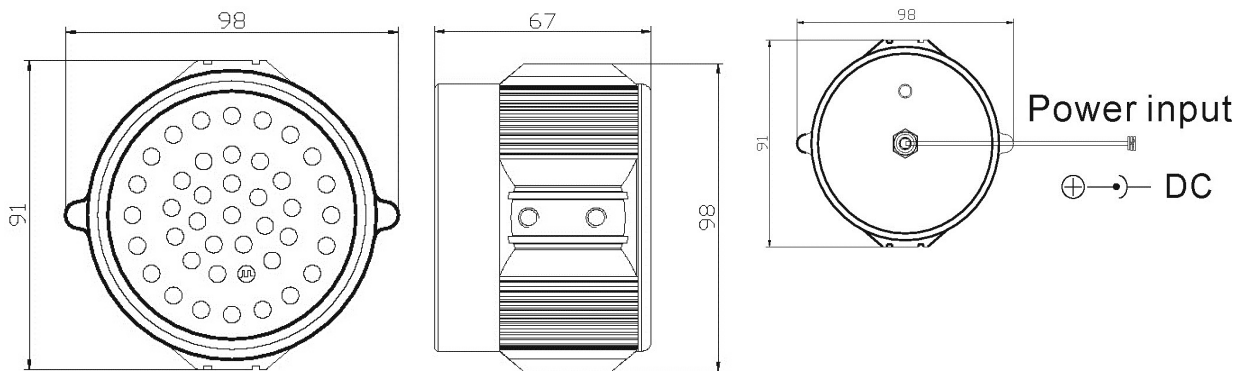
Power Adapter



FEATURES

- IR Night Vision Range: 90, 150, or 250 Feet depending on model
- IR LED Wavelength is 850nm
- CDS Auto IR Trigger ON/OFF
- IP66, Dust & Water proof design

DIMENSION



SPECIFICATIONS

Model	IR Distance	Power	# IR LEDs/Diameter	Emission Angle
AIR90	90ft	DC 12V / 300mA	40/5	45°
AIR150	150ft	DC 12V / 400mA	40/5	20°
AIR250	250ft	DC 12V / 500mA	40/5	15°